

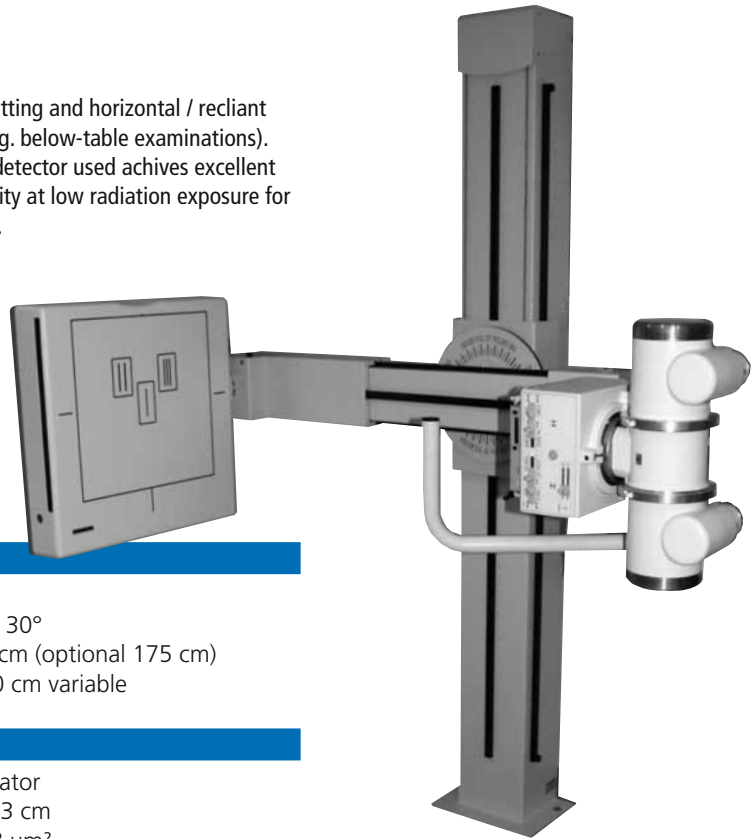
DigiRoeb's Basic



The Entry Level of Digital Radiography

The **DigiRoeb's Basic** is a well-proven X-ray device for all routine examinations that distinguishes itself by high efficiency and optimized workflows. The **DigiRoeb's Basic** allows to take images continuously adjustable from 40 - 150 cm above ground, as well as almost all examinations on patients in

standing, sitting and horizontal / recliant position (e.g. below-table examinations). The Trixell detector used achieves excellent image quality at low radiation exposure for the patient.



Technical Data

DigiRoeb's Basic Robot Stand

Swivel arm rotation	360°
Detector swivel range	- 30° to + 30°
Distance central beam – floor	41 – 151 cm (optional 175 cm)
Distance detector - focus	100 – 200 cm variable

Flat Panel Detector

Technology	CsI scintillator
Max field of view	41 cm x 43 cm
Pixel size	148 x 148 µm ²
Matrix	2775 x 2874 Pixel with 16 bit
DQE	64% at 0 lp/mm
Reading time	9 s
Produced by	Trixell

Grid

Type	Moving grid
Ratio	44 lp/cm, 1:10, FDD140

X-Ray Generator

Power	55 kW, 100 kHz
Radiographic voltage	40 kVp to 150 kVp
Shortest X-ray pulse	1 ms
Produced by	Siemens (OEM product)

X-Ray Tube Unit

Radiographic unit	150 kV
Nominal power	33 kW / 78 kW
Focus	0,6 mm / 1,2 mm
Heat storage capacity anode	340 KHU
Produced by	Siemens (OEM product)

Collimator

Multileaf collimator	Manual mode
Connectable pre-filter	0.1, 0.2, 0.3 mm Cu
Produced by	Siemens (OEM product)

Control Console

Monitor	19" touch screen
Organ programs	Free programmable
AEC	3 fields
DICOM 3.0	Print, Storage, Modality Worklist, Verification, Modality Performance Procedure Step
Image processing software	medigration HARMONY

Operation

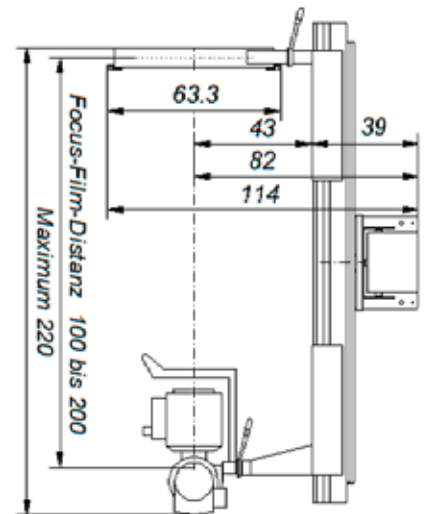
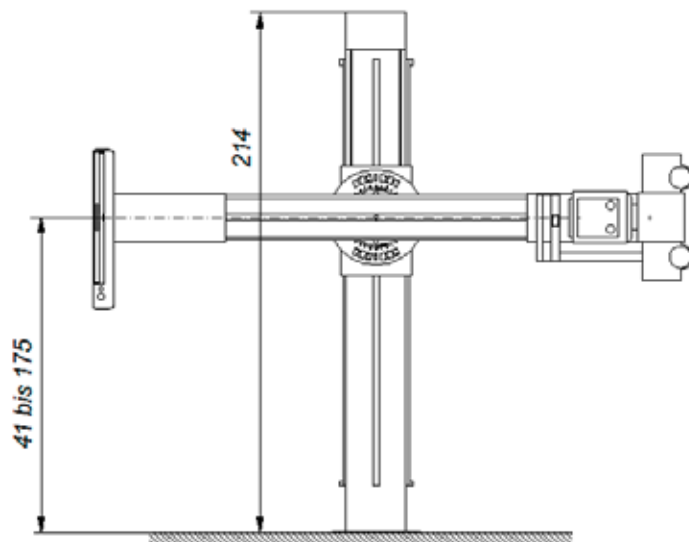
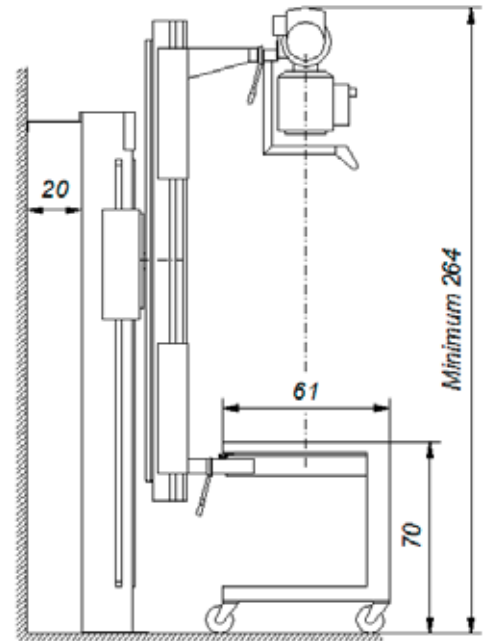
Temperature range	+10°C to +40°C
Relative humidity	30% to 70%

Storage / Transport

Ambient temperature	-10°C to +70°C
Relative humidity	20% to 90%

Power Connection (without Generator)

Voltage	230 V
Power	2 A
Weight stand with vertical carriage	ca. 240 kg
Weight swivel arm	ca. 90 kg
Weight detector + tube	ca. 55 kg
Ceiling height	min. 264 cm



Gesellschaft für
medizinische Datenverarbeitung
und Integration mbH
Schuhstr. 30
D-91052 Erlangen

Tel: + 49 (0) 91 31 - 6 90 87 - 40
Fax: + 49 (0) 91 31 - 6 90 87 - 50
eMail: info@medigration.de
web: www.medigration.de



For more information please visit www.medigration.de
If you have any further questions
please feel free to contact us!